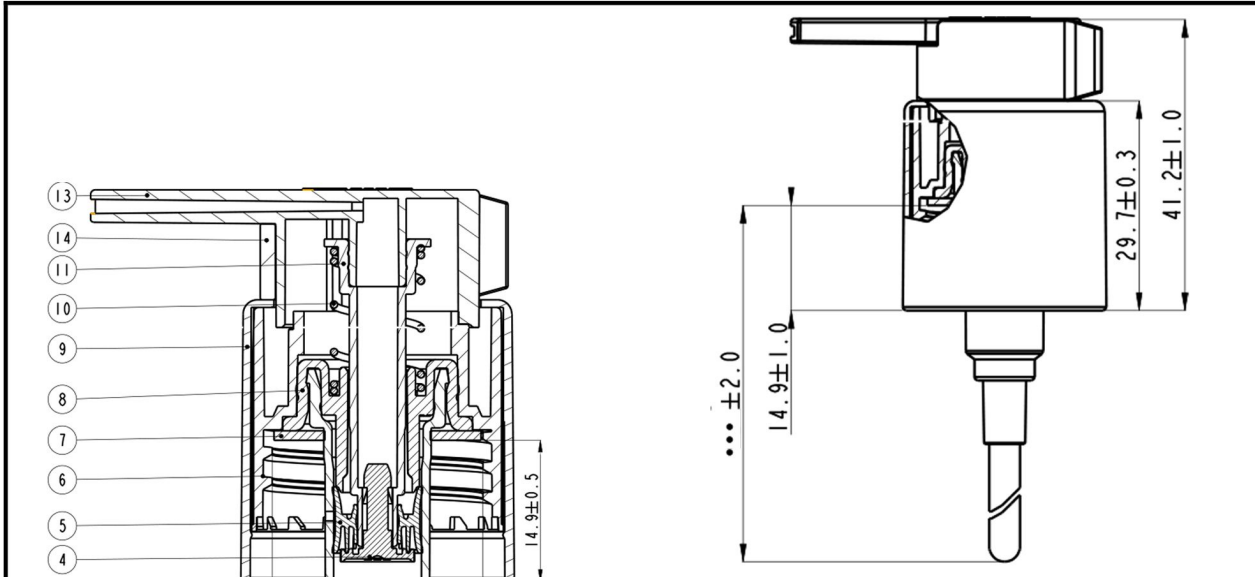


24/410 White Treatment Pump, 210mm FBOG


The drawing shows a cross-section of the pump on the left and an external view on the right. The cross-section is numbered 1 through 14. Dimensions include: 14.9±0.5, Ø22.2±0.3, Ø28.8±0.5, 14.9±1.0, 29.7±0.3, 41.2±1.0, and a tolerance of ±2.0.

| | | | | |
|----|------|------------|------------|---|
| 14 | PP | | SCZ1011901 | 1 |
| 13 | PP | | SCZ1010803 | 1 |
| 11 | PP | | SCZ1010401 | 1 |
| 10 | 304H | Ø9.9*24*7 | SCZ1019601 | 1 |
| 9 | PP | | SCZ1010701 | 1 |
| 8 | PP | | SCZ1010601 | 1 |
| 7 | PE | 24*1.0mm | SCZ1019801 | 1 |
| 6 | PP | | SCZ1010502 | 1 |
| 5 | PE | | SCZ1010301 | 1 |
| 4 | PP | | SCZ1011701 | 1 |
| 3 | PP | | SCZ1010101 | 1 |
| 2 | LDPE | | SCZ1011801 | 1 |
| 1 | LDPE | Ø4.20*0.65 | SCZ1019501 | 1 |

Bluesky Product Code 240TPWLA1-210E

Colour N/A

Neck Size 24/410mm

Weight n/a

Material See drawing

Last Updated By GJW - 08/06/2022